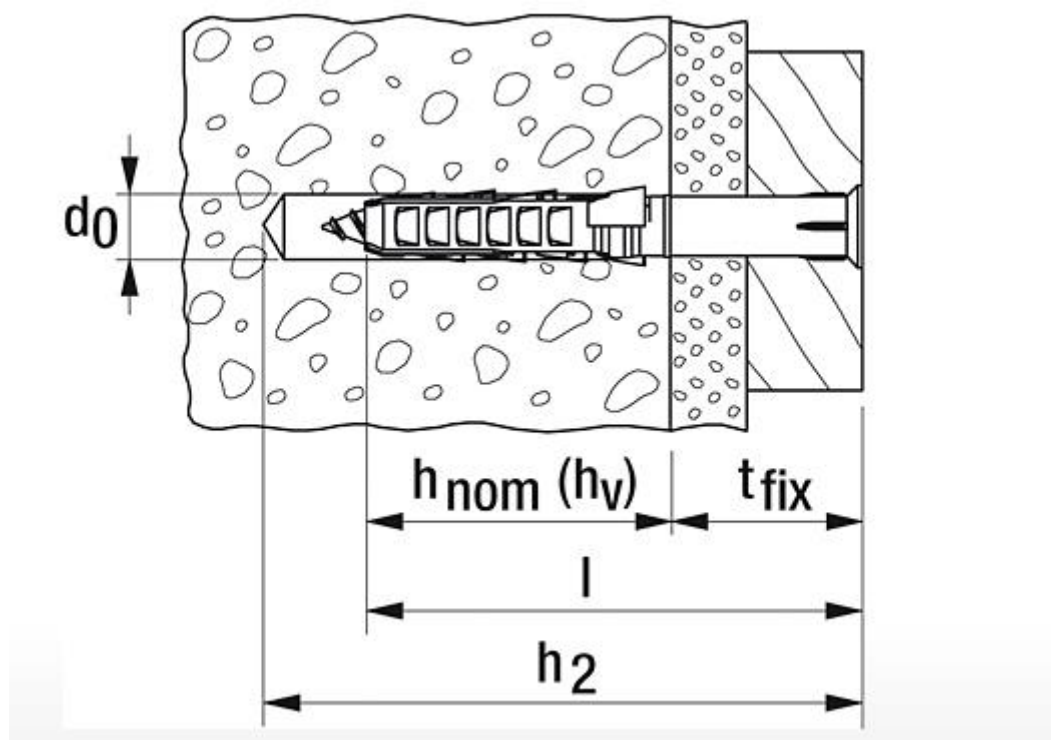


Дюбел многоцелеви с Г-образна кука,
дълга SXR 10 x 100 WHK NV, блистер



Drill hole diameter	d_0	10	[mm]
Min. drill hole depth for through fixings	h_2	110	[mm]
Min. anchorage depth	$h_{nom} (h_v)$	50	[mm]
Anchor length	l	100	[mm]
Max. fixture thickness	t_{fix}	50	[mm]
Card contents		2 x S 10 R 100, 2 x angle hook WH 7 x 125	
Sales unit		10	[pcs]
GTIN (EAN Code)		8590369454832	